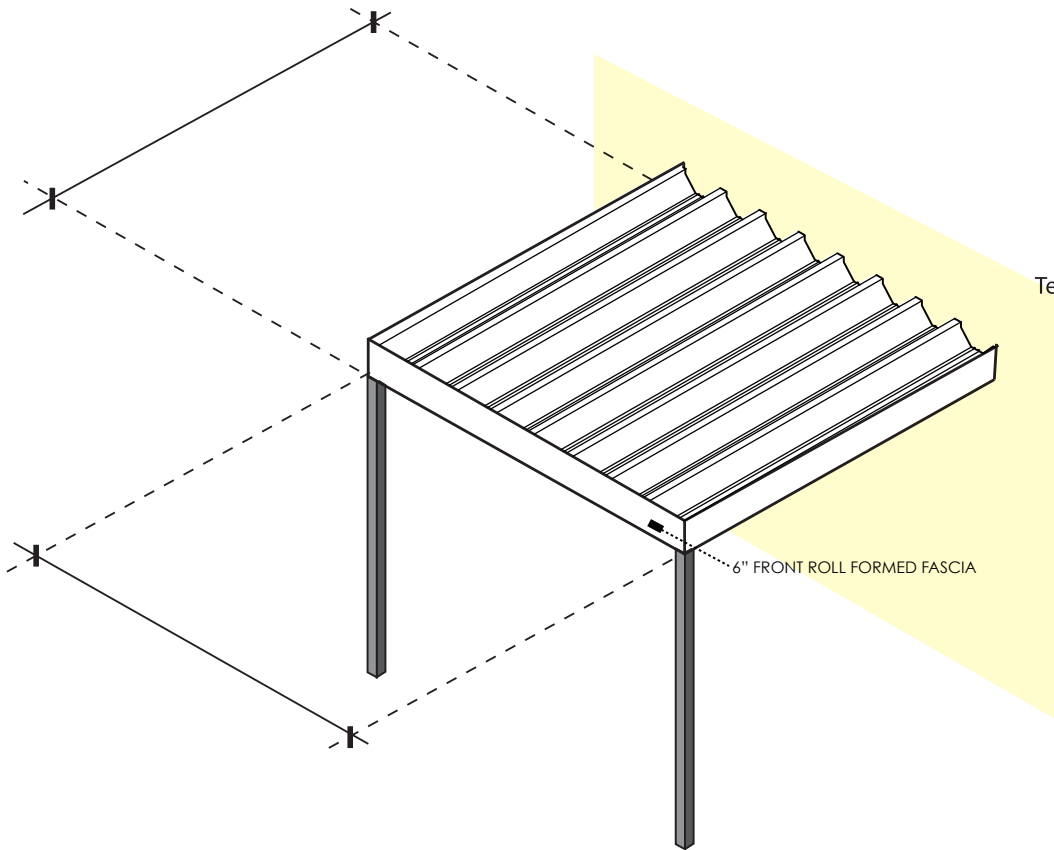


ATTACHED PATIO ALUMINUM CANOPY

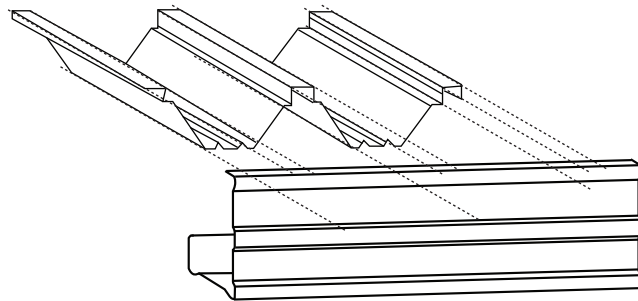
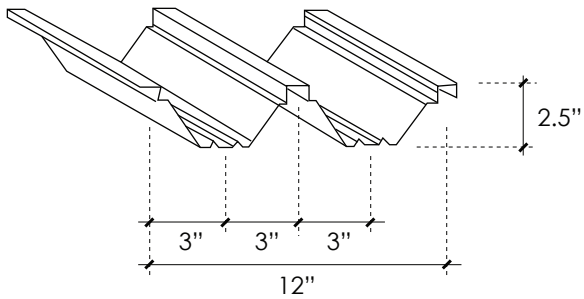


**WORLD OF
AWNINGS
& CANOPIES**

7830 San Fernando Road
Sun Valley, CA 91352
Tel. [818] 767.0095 Fax. [818] 767.0096
www.aworldofawnings.com



**12" TWIN-VEE PANEL DETAIL
ALUMINUM**



6" FRONT ROLL FORMED FASCIA DETAIL

Please fill the information and submit it by FAX @ (818) 767-0096

Date:	Phone:	Fax:
Name:		
Company:		
Project:		
Address:		