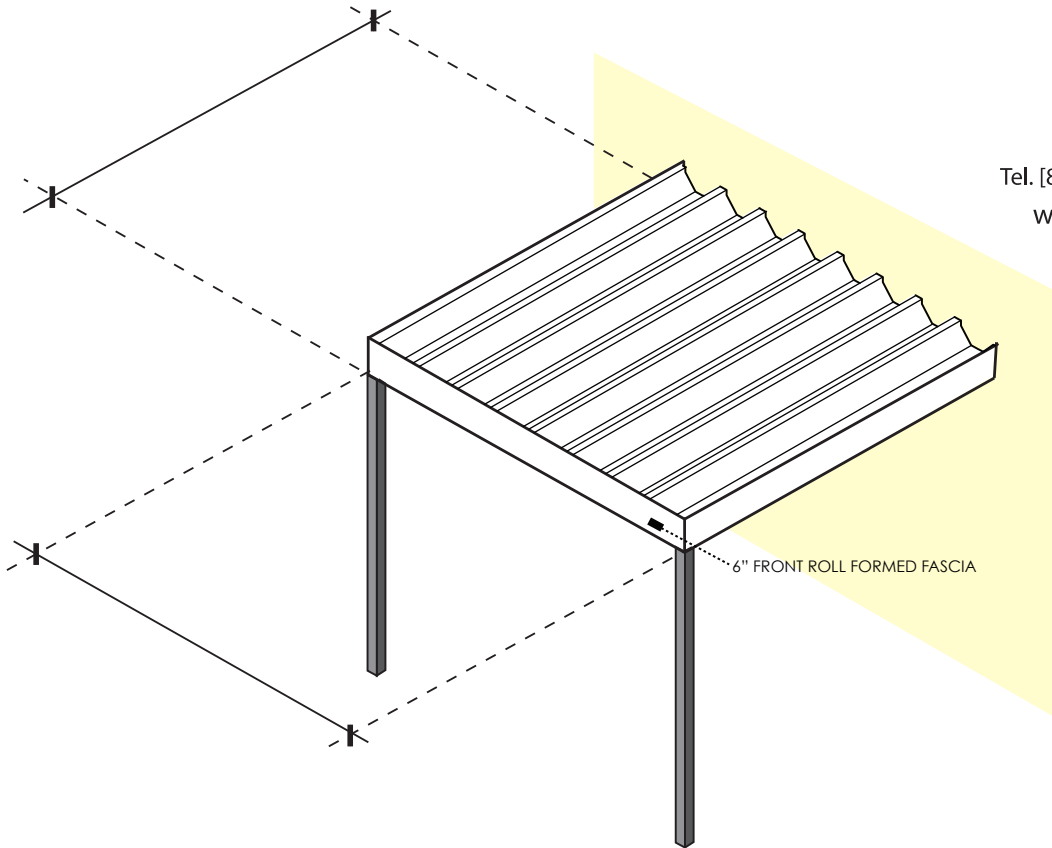


# ATTACHED PATIO ALUMINUM CANOPY

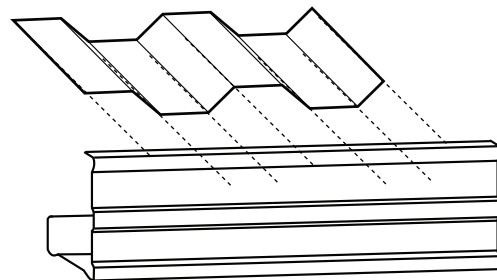
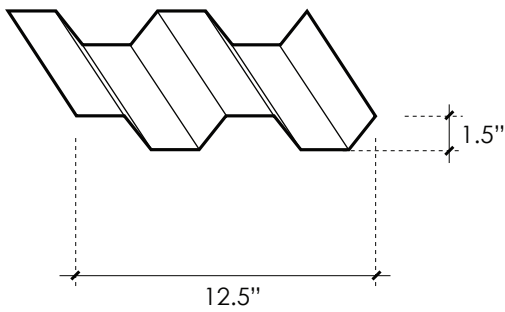


**WORLD OF  
AWNINGS  
& CANOPIES**

7830 San Fernando Road  
Sun Valley, CA 91352  
Tel. [818] 767.0095 Fax. [818] 767.0096  
[www.aworldofawnings.com](http://www.aworldofawnings.com)



**SHEET METAL DETAIL**



**6" FRONT ROLL FORMED FASCIA DETAIL**

Please fill the information and submit it by FAX @ (818) 767-0096

Date:	Phone:	Fax:
Name:		
Company:		
Project:		
Address:		